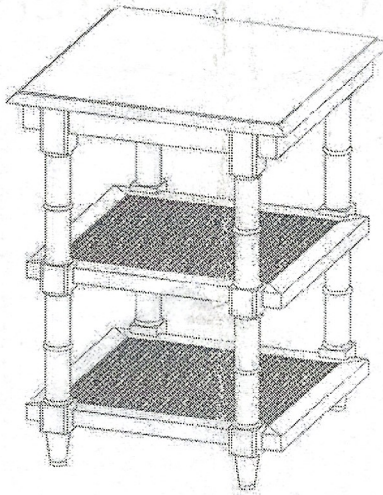


# CAROLINA CHAIR & TABLE









## Assembly Instructions

Item # AT1818 SH

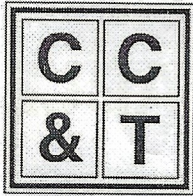
Side Table



Thank you for purchasing a Carolina Chair & Table company product. This product has been designed for easy assembly and is constructed for durability. Please take the time to read and follow the assembly instructions carefully. If a part or hardware is missing or you have any difficulties in assembling this product, please contact us Toll Free 1-800-228-3876 or Email at [support@carolinachairtable.com](mailto:support@carolinachairtable.com)

NO.	PART	DESCRIPTION	Q'TY	NO.	PARTS	DESCRIPTION	Q'TY
A		Top	1PC	D		Allen Head Bolt Ø6x60	8PCS
				E		Allen Head Bolt Ø6x30	8PCS
B		Leg	4PC	F		Spring Washer Ø6	16PCS
				G		Flat Washer Ø16*T1.0	16PCS
C		Base	2PC	H		Allen Head Wrench 4MM	1PC





# CAROLINA CHAIR & TABLE

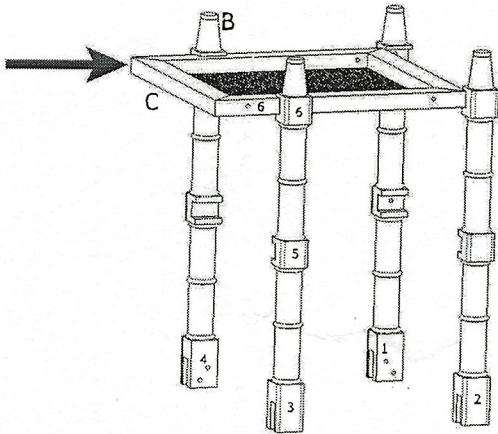
PLEASE NOTE:- DO NOT TIGHTEN SCREW COMPLETELY UNTIL PRODUCT IS FULLY ASSEMBLED  
IMAGES ARE FOR REPRESENTATION PURPOSE ONLY

## Assembly Instructions

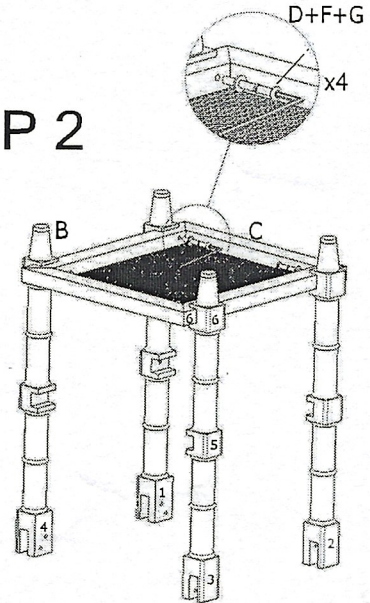
Item # AT1818 SH

Side Table

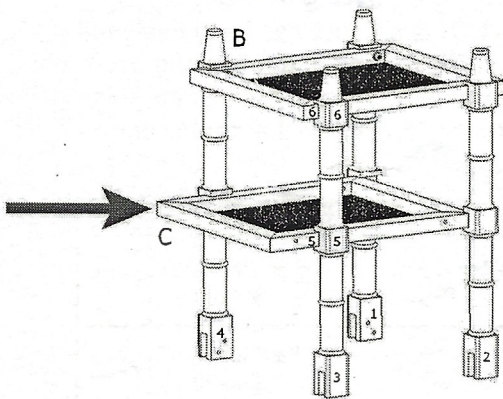
### STEP 1



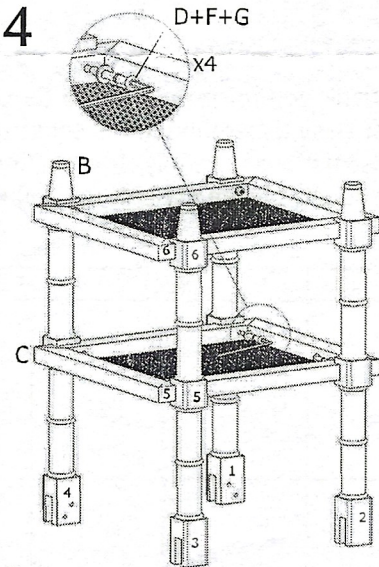
### STEP 2



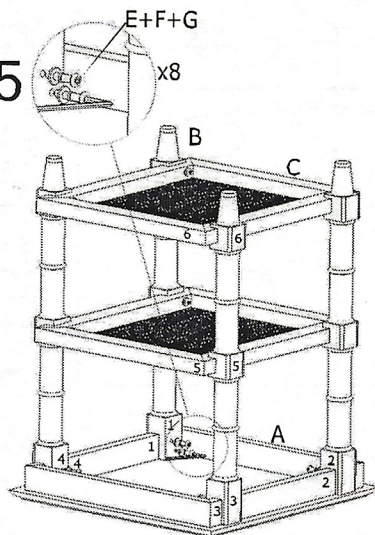
### STEP 3



### STEP 4



### STEP 5



### STEP 6

